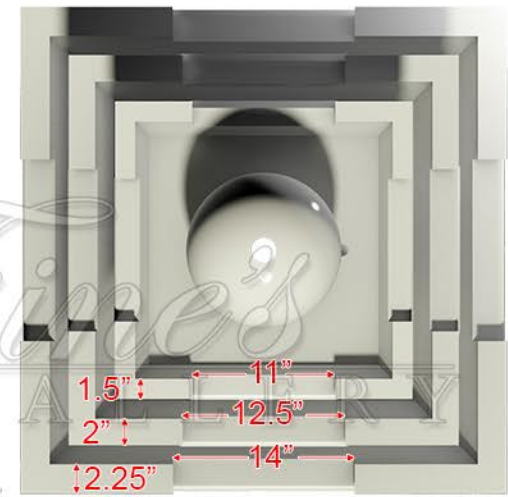
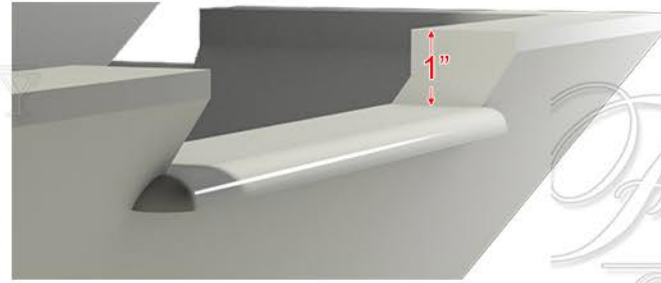
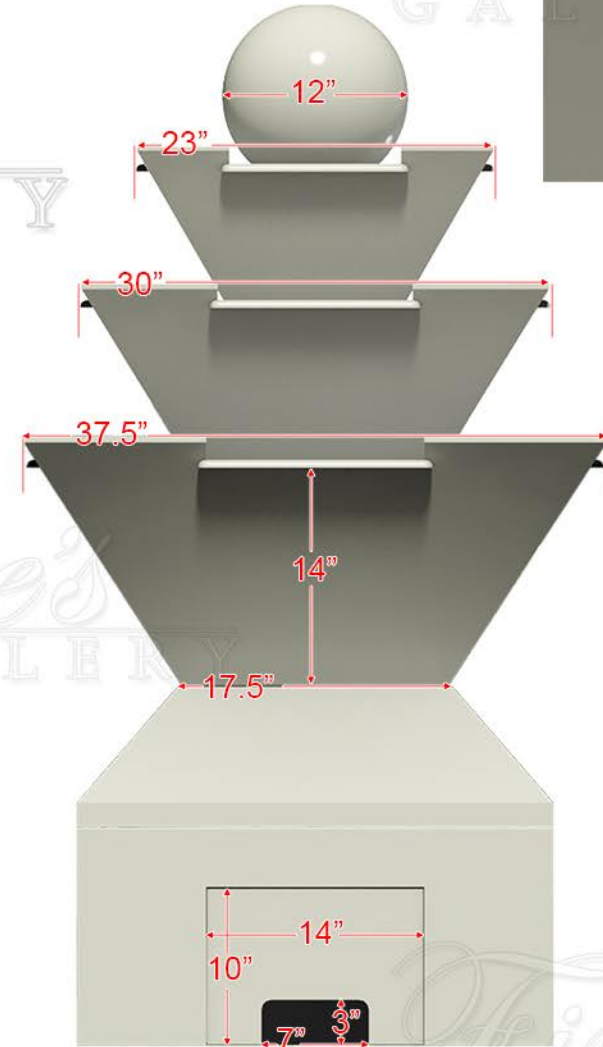


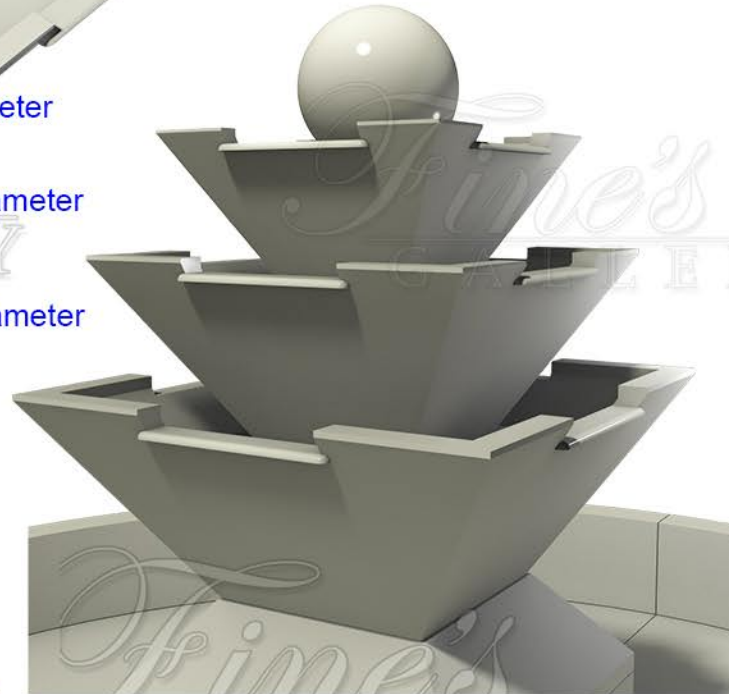
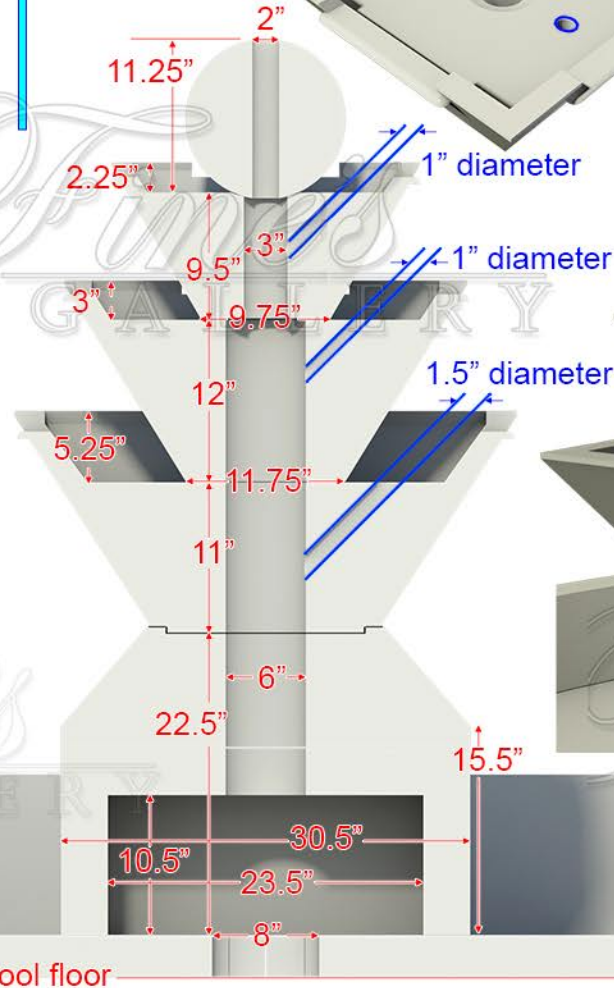
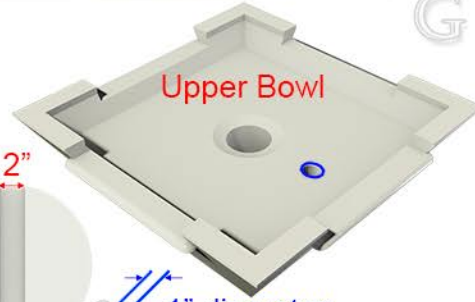
Customer: Davis, Fred  
 Model # MF-1669  
 Antique Griggio Granite Fountain  
 Size & Design Specifications:  
 70" height x 144" diameter

# FINE'S GALLERY APPROVAL FORM

Approval Form 3 of 3



Water Flow



14" wide x 10" high Removable Access Panel



SIGNATURE \_\_\_\_\_

DATE \_\_\_\_\_